



# Cube Ice Machine.

(CV SERIES)



Produksi  
**Frozen Food**



Es Konsumsi  
**Kafe & Restoran**



Es Konsumsi  
**Perhotelan**



Produksi  
**Frozen Food.**

Es Konsumsi  
**Kafe & Restoran.**

Es Konsumsi  
**Perhotelan.**

## Kelebihan **Cube Ice Machine** :



Material berbahan  
**Stainless Steels SUS 304**



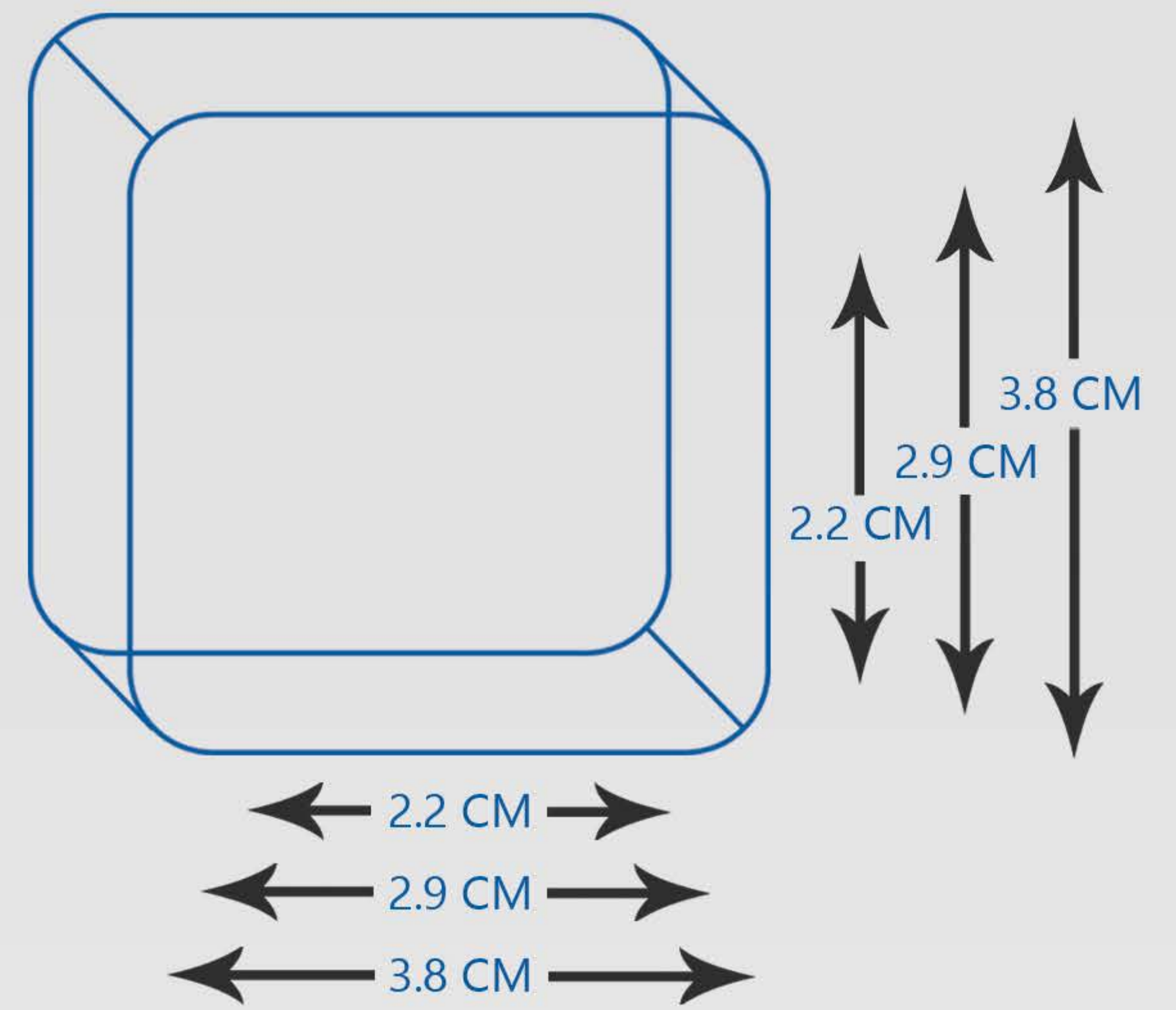
Memproduksi dengan  
**Kapasitas Besar**



Hasil es Padat  
**Tidak mudah meleleh**



**ES CUBE Size**



**Why Choose Us**



**Real Capacity**



**Teknisi Support**



**CS 24 Jam**



**After Sales Support**



**Famous Brand**



**International Standard**



**Food Grade Material**



**Finance Support**

**Parameter  
Cube Ice Machine**

Specification	Model	CV1000	CV2000	CV3000	CV4000	CV5000	CV6000	CV8000	CV10000	CV20000	CV25000
Capacity (ton/24hours)		1	2	3	4	5	6	8	10	20	25
Refrigerant		R404A/R507, environmental friendly type									
Compressor		Bitzer/Refcomp									
Cooling Way		Water/Air	Water/Air	Water/Air	Water	Water	Water	Water	Water	Water	Water
Qty of ice evaporator		4	8	12	16	18	24	30	36	36 (bigger)	42 (bigger)
Compressor Power (HP)		4	9	14	23	28	34	44	2*28	4*28	3*44
Reducer Motor (KW)		0,75	0,75	1,1	1,1	1,1	1,1	1,1*2	1,1*2	2,2*2	2,2*2
Circulated Water Pump (KW)		0,25	0,37	0,37	0,75	0,75	0,75	1,1	0,75*2	0,75*4	0,75*5
Water Cooling	Water Cooling Pump (KW)	0,75	1,1	1,5	2,2	2,2	2,2	2,2	4	4	5,5
	Model of Tower	8T	15T	20T	25T	30T	40T	40T	50T	80T	100T
	Tower Motor (KW)	0,18	0,37	0,55	0,75	0,75	1,5	1,5	1,5	2,2	2,2
Air Cooling	Motor (KW)	0,36	0,72	1,7	/	2,4	/	3,2	/	/	/
	Fans Dimeter (mm)	400*2	400*4	500*4	/	630*3		630*4			
Dimension	length (mm)	1700/1800	1730/2150	2100/3158	2620	3110	3900	4980	5830	6250	6750
	width (mm)	1230/1650	1520/1640	1940/1950	1940	1940	1940	1980	1980	2310	2310
	height (mm)	1970/1750	2030/2030	2050/2030	2040	2040	2190	2300	2320	2470	2470
Weight (Kg)		900	1200	1350	1550	1780	2100	3000	3900	5500	6500

**PT. PANDU MAHARDIKA PERDANA**

Penyedia Mesin es & Cold Storage  
Website : [www.pndice.com](http://www.pndice.com)

**JAKARTA**

Jl. Suryopranoto/Harmoni Plaza Blok A nomor 17  
Kecamatan Gambir, Kelurahan Petojo Utara,  
Jakarta Pusat. Telp. (021) 220 660 90

**SURABAYA**

Bumi Mandiri Tower 2 Level 12  
Jl. Panglima Sudirman Kav. 66 - 68, Surabaya  
Pusat, 60271